



Manufacturier de portes et fenêtres

Poignées de porte

Dorex



Tecnica series locksets are an Art Moderne inspired line developed to complement any contemporary architectural setting, or to modernize traditional spaces. These solid geometric handles maintain a distinctive clean look and the same robust quality as other Dorex series locksets. Tecnica series levers are recommended by architectural and interior design professionals for both private and public applications.

www.dorex.com

TECNICA DESIGN
D O R E X

TECNICA DESIGN SERIES

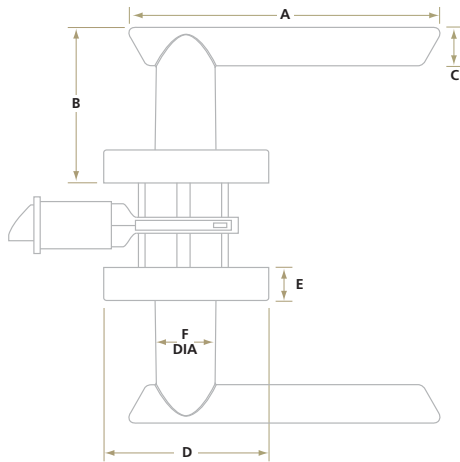
LEVERS

- ANSI Grade 3
- Fits 1 3/8" (35mm) to 2" (51mm) door thickness
- Kit available for 2 1/4" (57mm) door thickness
- Backset adjustable for 2 3/8" (60mm) and 2 3/4" (70mm)
- Stainless steel latch bolt available in drive-in or mortise type
- ASA strike available for hollow metal suite doors
- Zinc die-cast levers
- Concealed mounting screws
- Auto-release privacy function
- Lifetime mechanical warranty
- 10 year limited finish warranty
- cULus 20min fire can available (ordered with lockset)

DEADBOLTS

- Single cylinder with thumbturn
- Fits 1 3/8" (35mm) to 1 3/4" (44.5mm) door thickness
- Kit available for 2 1/4" (57mm) door thickness
- Available with Kwikset, Schlage "C" or Weiser keyways
- Brass or stainless steel deadbolt with hardened steel pin and 1" (25mm) throw
- Lifetime mechanical warranty
- 10 year limited finish warranty
- cULus 20min fire can available (ordered with deadbolt)

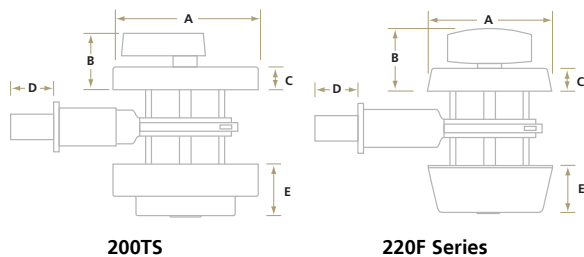
LEVERS



	MODEL NUMBER	TYPE	FUNCTION	FINISH	PER CASE	WEIGHT LBS / KG
CIRCA	100 10 CT	Tubular	Passage	15, 26D	10	23.3 / 10.6
	100 42 CT		Privacy			24.4 / 11.1
	100 CT -5		Universal dummy		20	18.0 / 8.2
	DM-SR	Mortise	Refer to Dorex DM Series - p.02.010			
LINEA	100 10 LT / LTS	Tubular	Passage	15, 26, 26D	10	23.3 / 10.6
	100 42 LT / LTS		Privacy			24.4 / 11.1
	100 LT -5 / LTS -5		Universal dummy		20	18.0 / 8.2
	DM-SL	Mortise	Refer to Dorex DM Series - p.02.010			
THE FLAT	100 10 FT / FTS	Tubular	Passage	15, 26, 26D	10	23.3 / 10.6
	100 42 FT / FTS		Privacy			24.4 / 11.1
	100 FT -5 / FTS -5		Universal dummy		20	18.0 / 8.2
	DM-SF	Mortise	Refer to Dorex DM Series - p.02.010			

MODEL NUMBER	A	B	C	D	E	F DIA
100CT	4 13/16 (122.3)	2 3/8 (60)	19/32 (15)	2 9/16 (64.5)	1/2 (12.7)	15/16 (23.2)
100LT/LTS	4 3/8 (111)		25/32 (20)			
100FT/FTS	4 3/4 (120)		37/64 (14.7)			

DEADBOLTS



MODEL NUMBER	FUNCTION	FINISH	PER CASE	WEIGHT LBS / KG
200 51 TS	Single Cylinder Kwikset keyway	15, 26, 26D	12	20.0 / 9.1
201 51 TS	Single Cylinder Weiser keyway			
202 51 TS	Single Cylinder Schlage keyway			
220F 51	Single Cylinder Kwikset keyway	15, 26D	20	27.0 / 12.3
221F 51	Single Cylinder Weiser keyway			
222F 51	Single Cylinder Schlage keyway			

MODEL NUMBER	A	B	C	D	E
200TS	2 9/16 (64.5)	1 3/16 (30.2)	3/8 (9.5)	1 (25.4)	15/16 (23.8)
220F	2 1/16 (52)	1 (25.4)			

Dimensions unless specified otherwise are: Inches (Millimeters)

TECNICA DESIGN SERIES



Circa



Linea



© DOREX

The Flat



© DOREX



220F Series



200 TS
QUADRA

ORDERING INFORMATION

LEVERS	100* SERIES	10 FUNCTION	FT DESIGN	15 FINISH	M LATCH
--------	----------------	----------------	--------------	--------------	------------

DEADBOLTS	200 SERIES	51 FUNCTION	TS DESIGN	26D FINISH	KD KEYING	V BOLT
-----------	---------------	----------------	--------------	---------------	--------------	-----------

FUNCTION	
10	Passage
42	Privacy
DEADBOLT FUNCTION	
51	Single cylinder
DESIGN	
CT	Circa
FT	The Flat
FTS	The Flat with square rosette
LT	Linea
LTS	Linea with square rosette
TS	Quadra (200 TS Series)

FINISH			
15	Satin Nickel		
26	Bright Chrome		
26D	Satin Chrome		
LATCH / BOLT			
M	Mortise		
V	Drive-in		
DEADBOLT KEYWAY			
200	KW keyway	220F	KW keyway
201	WR keyway	221F	WR keyway
202	SC keyway	222F	SC keyway
MOUNT OPTIONS <small>Levers only</small>			
-5	Universal Dummy		

KEYING * Deadbolts only	
CMK Construction Master Keyed	In a CMK group, builder's key can open all individual locks during construction just like a master key. Homeowner's key, once operated, shuts out builder's key automatically.
GMK Grand Master Keyed	Each lock is keyed different in a group. Master key opens all locks in its own group but no other group. Grand master key opens all locks in all groups.
MK Master Keyed	Each lock in the group is keyed different. A master key opens all locks in that group but no other group.
KA Keyed alike	Keyed alike locks are all built to one key which operates all locks in the system.
KD Keyed Different	The key to any individual lock will operate that lock only and no other lock in the group.

***MORTISE LOCK OPTION**

Tecnica lever designs can also be found in the Dorex DM Series of mortise locks. Offering a wider variety of lock and keying options - perfect for office, government and residential complex development. Please speak to your local Dorex representative or refer to the Dorex DM Series catalogue page (p.02.010).

FINISH / FUNCTION AVAILABILITY CHART

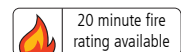
FINISH	15	26	26D
CIRCA	10, 42, -5		10, 42, -5
THE FLAT	10, 42, -5		10, 42, -5
THE FLAT, SQUARE ROSETTE	10, 42, -5	10, 42, -5	10, 42, -5
LINEA	10, 42, -5	10, 42, -5	10, 42, -5
LINEA, SQUARE ROSETTE	10, 42, -5	10, 42, -5	

FINISH	15	26	26D
200TS SERIES	51	51	51
220F SERIES	51		51

PARTS & ACCESSORIES

FIRE CAN	Required for installation on 20 minute fire rated doors with 2-1/8" (54mm) cross bore (200 TS series deadbolt)	ASAC15	ASA Strike for hollow metal suite doors, available in bright brass (3), satin nickel (15) and stainless steel (32D) finishes
FIRE CAN1.5	Required for installation on 20 minute fire rated doors with 1-1/2" (38mm) cross bore (220F series deadbolt)	TDK100TE	Lockset 2-1/4" (57mm) door thickness kit
		TLA85052	Deadbolt 2-1/4" (57mm) door thickness kit

Please refer to finish availability chart for in stock finishes. All finishes are available for volume special orders (allow a min. of 12 weeks for delivery). Lifetime warranty on Endurance finish • 10 year limited warranty on all other finishes Lifetime mechanical warranty • Please refer to Dorex warranty conditions





Decorate your home with Elegance, a solid brass hardware line created for the designer in you. If unmistakable style and solid construction are what you have been looking for, then the Dorex Elegance series door locks stand alone in offering so much for so little.

www.dorex.com

elegance

SOLID BRASS DOOR LOCKS



RESIDENTIAL COLLECTION

Levers

- Solid brass levers
- Concealed mounting screws
- For 1-3/8" (35mm) to 1-3/4" (44mm) door thickness
- 2-1/4" (57mm) kit available
- Adjustable 2-3/8" (60mm) or 2-3/4" (70mm) backset
- Galvanized all steel interior mechanism
- Optional 20 minute fire rating available



ANCONA
Satin nickel



FIRENZA
Antique brass



MILANO
Antique nickel



ROMA
Satin nickel



VERONA
Satin chrome

Handlesets

- Solid brass exterior trim
- For 1-3/8" (35mm) to 1-3/4" (44mm) door thickness
- Adjustable for 2-3/8" (60mm) or 2-3/4" (70mm) backset
- Galvanized all steel interior mechanism
- 5-pin rekeyable cylinder
- Brass deadbolt with steel rolling pin insert and full 1" (25mm) throw
- 5-1/2" (140mm) centre to centre hole spacing



MONTICELLO
Antique nickel



ROSEDALE
Satin chrome



YORKVILLE
Antique nickel

Deadbolts



GX1A (Grade 1) - Satin chrome

- For 1-3/8" (35mm) to 2" (51mm) door thickness; 2-1/4" (57mm) door thickness kit available
- 2-3/4" (70mm) backset; 2-3/8" (60mm) backset available
- Removable 6-pin rekeyable solid brass KIK cylinder in steel housing
- Free spinning collar for enhanced security
- 1" (25mm) full throw brass deadbolt with steel rolling insert pin
- Grade 1 product, cULus fire rated for up to 3 hours



220F - Satin chrome

- For 1-3/8" (35mm) to 1-3/4" (44mm) door thickness; 2-1/4" (57mm) door thickness kit available
- Adjustable 2-3/8" (60mm) or 2-3/4" (70mm) backset
- Removable 6-pin rekeyable cylinder
- Universal latch bolt with 1" (25mm) throw

ORDERING INFORMATION

LEVERS	100 SERIES	10 FUNCTION*	AN DESIGN	C10B FINISH	M LATCH*	N/A HANDLING†	N/A SUFFIX††
HANDLESETS	650 KW KEYWAY 651 WR KEYWAY 652 SC KEYWAY	MT DESIGN	RM INTERIOR TRIM	C15A FINISH	KD KEYING*	M LATCH*	N/A SUFFIX††
DEADBOLTS	GX1A SERIES	51 FUNCTION	C26D FINISH	KD KEYING	M LATCH	WEI SUFFIX††	

(*) Not required when ordering Dummy function, (†) Specify handling if required, (††) Optional

<p>LEVER FUNCTION</p> <p>10 Passage 42 Privacy</p> <p>DEADBOLT FUNCTION</p> <p>51 Single cylinder (6-pin Schlage "C") 60 Double cylinder</p> <p>LEVER DESIGN / INTERIOR TRIM</p> <p>A Ancona † F Firenza † MI Milano † RM Roma V Verona</p> <p>HANDLESET DESIGN</p> <p>MT Monticello RD Rosedale YK Yorkville</p> <p>HANDLING</p> <p>LH Left hand RH Right hand</p>	<p>FINISH</p> <p>C3 Polished brass C5 Antique brass C10B Oil rubbed bronze C11P Antique bronze C15 Satin nickel C15A Antique nickel C26D Satin chrome V3 Endurance lifetime finish</p> <p>LATCH</p> <p>M Mortise</p> <p>DEADBOLT KEYWAY</p> <p>220F KW keyway (Kwikset) 221F WR keyway (Weiser) 222F SC keyway (Schlage "C") (standard)</p> <p>MOUNTING OPTION / SUFFIX</p> <p>-1 Surface dummy -3 Interior handleset trim optional WEI 5-pin Weiser keyway for GX1A DUM Handleset dummy</p>	<p>KEYING</p> <p>CMK Construction master keyed In a CMK group, builder's key can open all individual locks during construction just like a master key. Homeowner's key, once operated, shuts out builder's key automatically.</p> <p>GMK Grand master keyed Each lock is keyed different in a group. Master key opens all locks in its own group but no other group. Grand master key opens all locks in all groups.</p> <p>MK Master keyed Each lock in the group is keyed different. A master key opens all locks in that group but no other group.</p> <p>KA Keyed alike Keyed alike locks are all built to one key which operates all locks in the system. It may be KA2, KA3, KA4, etc.</p> <p>KD Keyed different The key to any individual lock will operate that lock only and no other lock in the group.</p>
--	--	---

(†) When ordering Dummy function, specify handling

FINISH / FUNCTION AVAILABILITY CHART

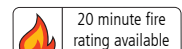
LEVERS	FINISH	C3	C5	C10B	C15	C15A	C26D
	ANCONA	-3		10, 42, -1	10, 42, -1, -3	10, 42, -1, -3	
	FIRENZA	10, 42, -1, -3	10, 42, -1, -3		10, 42, -1, -3	10, 42, -1, -3	10, 42, -1
	MILANO				10, 42, -1, -3	10, 42, -1, -3	
	ROMA	10, 42, -1, -3			10, 42, -1	10, 42, -1, -3	
	VERONA				10, 42, -1	10, 42, -1, -3	10, 42, -1

DEADBOLTS	FINISH	C3	C5	C11P	C15	C15A	C26D	V3
	GX1A SERIES	51	51		51	51	51, 60	51
	220F SERIES	51		51	51	51	51	

HANDLESETS	FINISH	C5	C10B	C11P	C15	C15A	C26D	V3
	MONTICELLO		Standard	Standard	Standard	Standard, Dummy		Standard, Dummy
	ROSEDALE	Standard	Standard, Dummy	Standard, Dummy	Standard, Dummy	Standard, Dummy	Standard, Dummy	Standard, Dummy
	YORKVILLE		Standard, Dummy			Standard, Dummy	Standard, Dummy	Standard, Dummy

Please refer to finish availability chart for in stock finishes. Finish/function availability may change without notice. Above finishes are all available for volume orders (Allow a minimum of 12 weeks for delivery).

Lifetime warranty on Endurance finish • 10 year limited warranty on all other finishes
Lifetime mechanical warranty • Please refer to Dorex warranty conditions





If you're imagining an exciting new design for your home, the Dorex Hamptons Series is here to help turn your imagination into reality. This eye-catching collection will simply entice you; adding a touch of class and prestige while maintaining the highest standards in quality and security.

www.dorex.com

Hamptons

SOLID BRASS DOOR LOCKS



RESIDENTIAL COLLECTION

HAMPTONS SERIES

Handlesets

Solid brass exterior trim • For 1 3/4" (44mm) to 2" (51mm) door thickness; 2 1/4" (57mm) kit available • Backset adjustable for 2 3/8" (60mm) and 2 3/4" (70mm) • Galvanized steel, brass and zinc die-cast interior mechanism • 5-pin rekeyable solid brass cylinder • Brass deadbolt with steel rolling pin insert and full 1" (25mm) throw • 5 1/2" (140mm) centre to centre hole spacing • Weiser keyway • Easy installation with template



CARRAWAY
Antique Bronze



HOLBROOK
Matte Black



SUFFOLK
Satin Nickel

HAMPTONS SERIES

Knob

For 1 3/4" (44mm) to 2" (51mm) door thickness • Concealed mounting screws • Backset adjustable for 2 3/8" (60mm) and 2 3/4" (70mm) • Galvanized steel, brass and zinc die-cast interior mechanism • 5-pin rekeyable solid brass cylinder • Brass deadbolt with steel rolling pin insert and full 1" (25mm) throw • Weiser keyway • Easy installation with template



MONTAUK
Antique Bronze

Deadbolts

For 1 3/8" (35mm) to 1 3/4" (44mm) door thickness • 2 1/4" (57mm) kit available • Concealed mounting screws • Backset adjustable for 2 3/8" (60mm) and 2 3/4" (70mm) • Galvanized steel, brass and zinc die-cast interior mechanism • 5-pin rekeyable solid brass cylinder • Brass deadbolt with steel rolling pin insert and full 1" (25mm) throw • Weiser keyway • Easy installation with template



HAMPTONS
Antique Nickel

ORDERING INFORMATION

KNOB	H100 SERIES → H101 WR KEYWAY	10 FUNCTION	MO DESIGN	C15 FINISH	KD* KEYING	M LATCH
HANDLESETS	H500 SERIES → H501 WR KEYWAY	HB DESIGN	MO INTERIOR TRIM	C19 FINISH	KD KEYING	M LATCH
DEADBOLTS	H200 SERIES → H201 WR KEYWAY	51 FUNCTION	HA DESIGN	C11P FINISH	KD KEYING	GL LATCH

KNOB FUNCTION	
10	Passage
17	Dummy
42	Privacy
DEADBOLT FUNCTION	
51	Single cylinder
60	Double cylinder
KNOB DESIGN / INT. TRIM	
MO	Montauk
HANDLESET DESIGN	
CW	Carraway
HB	Holbrook
SF	Suffolk

FINISH	
C3	Bright Brass
C11P	Antique Bronze
C15	Satin Nickel
C15A	Antique Nickel
C19	Matte Black
C26D	Satin Chrome
V3	Endurance Lifetime Finish
LATCH	
GL	Gate latch
M	Mortise
DEADBOLT KEYWAY	
WR	WR keyway
MOUNT OPTIONS	
-1	Surface mounted
-3	Gripset interior trim

KEYING * keyed function is optional for levers and knobs

CMK Construction Master Keyed In a CMK group, builder's key can open all individual locks during construction just like a master key. Homeowner's key, once operated, shuts out builder's key automatically.

GMK Grand Master Keyed Each lock is keyed different in a group. Master key opens all locks in its own group but no other group. Grand master key opens all locks in all groups.

MK Master Keyed Each lock in the group is keyed different. A master key opens all locks in that group but no other group.

KA Keyed alike Keyed alike locks are all built to one key which operates all locks in the system. It may be KA2, KA3, KA4, etc.

KD Keyed Different The key to any individual lock will operate that lock only and no other lock in the group.

FINISH / FUNCTION AVAILABILITY CHART

FINISH	C3	C11P	C15	C15A	C19	C26D	V3
MONTAUK	-3	10, 17, 42, 51, -3	10, 17, 42, 51, -3	10, 17, 42, 51, -3	10, 17, 42, 51	-3	10

FINISH	C11P	C15	C15A	C19	V3
HAMPTONS	51, 60	51, 60	51, 60	51, 60	51, 60

FINISH	C11P	C15	C15A	C19	C26D	V3
CARRAWAY	Standard	Standard	Standard	Standard		Standard
HOLBROOK	Standard	Standard	Standard	Standard		
SUFFOLK	Standard	Standard	Standard	Standard	Standard	Standard



The new standard for style, quality and value. The Dorex Signature series offers a wide selection of quality locksets and timeless styles and finishes, ensuring many years of reliable service in your home.

www.dorex.com

• SIGNATURE •



RESIDENTIAL COLLECTION

Lever

- For 1-3/8" (35mm) to 1-3/4" (44mm) door thickness
- Adjustable 2-3/8" (60mm) or 2-3/4" (70mm) backset; 5" (127mm) backset available

- Galvanized all steel interior mechanism
- Entry function has 5-pin cylinder
- Optional 20 minute fire rating



APOLLO
Satin chrome



MANHATTAN
Antique brass



ATHENA*
Antique bronze



HAWTHORNE
Satin chrome



ESCORT
Satin chrome



CAMBRIDGE
Satin nickel

(*) Specify handing

Knobs

- For 1-3/8" (35mm) to 1-3/4" (44mm) door thickness
- Adjustable 2-3/8" (60mm) or 2-3/4" (70mm) backset; 5" (127mm) backset available
- Galvanized all steel interior mechanism

- Entry function has 5-pin cylinder
- Optional 20 minute fire rating



BALA
Satin stainless steel



EGLINGTON
Antique nickel



FARGO
Satin chrome



TRENTON
Matte black

Handlesets

- For 1-3/4" (44mm) to 2-1/4" (57mm) door thickness
- Adjustable 2-3/8" (60mm) or 2-3/4" (70mm) backset
- Galvanized all steel interior mechanism
- 5-pin cylinder (drilled 6-pin) removable solid brass KIK cylinder steel housing
- Brass deadbolt with steel, rolling pin and full 1" (25mm) throw



BIARRITZ
Antique brass



CAPRI
Satin nickel



IMPERIAL
Antique nickel



MAYFAIR
Matte black

Deadbolts

- For 1-3/8" (35mm) to 1-3/4" (44mm) door thickness
- 2-1/4" (57mm) door thickness kit available
- Adjustable 2-3/8" (60mm) or 2-3/4" (70mm) backset
- 5-pin rekeyable removable solid brass KIK cylinder in steel housing
- Revolving cylinder guard
- Brass deadbolt with steel pin insert and full 1" (25mm) throw
- Optional 20 minute fire rating



SINGLE CYLINDER
Satin nickel



ONE SIDED⁺
Satin nickel



DOUBLE CYLINDER
Antique nickel

(t) also available with exterior plate

ORDERING INFORMATION

LEVERS & KNOBS	100 KW KEYWAY 101 WR KEYWAY 102 SC KEYWAY	42 FUNCTION**	M DESIGN	C5 FINISH	N/A KEYING*	W LATCH**	N/A SUFFIX†
DEADBOLTS	200 KW KEYWAY 201 WR KEYWAY 202 SC KEYWAY	51 FUNCTION		C32D FINISH	KD KEYING**	M LATCH**	N/A SUFFIX†
HANDLESETS	400 KW KEYWAY 401 WR KEYWAY 402 SC KEYWAY	CA DESIGN	B INTERIOR TRIM	C15 FINISH	KD KEYING**	M LATCH**	N/A SUFFIX†

(*) Not required when ordering Passage / Privacy or Dummy function, (**) Not required when ordering Dummy function, (†) Optional

LEVER / KNOB FUNCTION		FINISH		KEYING	
10	Passage	C3	Polished brass	CMK Construction master keyed In a CMK group, builder's key can open all individual locks during construction just like a master key. Homeowner's key, once operated, shuts out builder's key automatically.	
42	Privacy	C5	Antique brass	GMK Grand master keyed Each lock is keyed different in a group. Master key opens all locks in its own group but no other group. Grand master key opens all locks in all groups.	
51	Entry	C10B	Oil rubbed bronze	MK Master keyed Each lock in the group is keyed different. A master key opens all locks in that group but no other group.	
80	Storeroom	C11P	Antique bronze	KA Keyed alike Keyed alike locks are all built to one key which operates all locks in the system. It may be KA2, KA3, KA4, etc.	
DEADBOLT FUNCTION		C15	Satin nickel	KD Keyed different The key to any individual lock will operate that lock only and no other lock in the group.	
51	Single cylinder	C15A	Antique nickel		
55	One sided	C19	Matte black		
57	One sided with exterior plate	C26	Polished chrome		
60	Double cylinder	C26D	Satin chrome		
LEVER / KNOB DESIGN / INT. TRIM		C32D	Satin stainless steel		
A	Athena (Handed)	V3	Endurance lifetime finish		
AP	Apollo (Reversible)*	LATCH			
B	Bala (Default interior trim)	M	Universal		
CB	Cambridge	W	4-way		
E	Eglington	MOUNTING OPTION / SUFFIX			
ES	Escort	-1	Surface dummy		
FO	Fargo*	-2	Thru-bolt dummy		
HW	Hawthorne	-3	Interior handleset trim		
M	Manhattan	DUM	Dummy, handleset, deadbolt**		
T	Trenton*	HANDING			
HANDLESET DESIGN		LH	Left hand		
BI	Biarritz	RH	Right hand		
CA	Capri				
IM	Imperial				
MA	Mayfair				

(*) Not available as interior trim, (**) Dummy deadbolt available only for # 20151

FINISH / FUNCTION AVAILABILITY CHART

	FINISH	C3	C5	C11P	C15	C15A	C19	C26	C26D	C32D	C53	V3	
LEVERS & KNOBS	ATHENA	10, 42, 51, -1, -2		10, 42, 51, -1, -2	10, 42, 51, -1, -2	10, 42, 51, -1, -2	10, 42, 51, -1		10, 42, 51, -1, -2				
	APOLLO			10, 42, -1	10, 42, -1				10, 42, -1				
	BALA	10, 42, 51, -1, -2, -3	10, 42, 51, -1, -2, -3	10, 42, 51, -2	10, 42, 51, -2, -3	10, 42, 51, -1, -2	10, 42, -2		10, 42, 51, -2	10, 42, 51, 80, -2	10, 51	10, 51	
	CAMBRIDGE			10, 42, -1, -3	10, 42, 51, -1, -3	10, 42, -1, -3	-3		10, 42, 51, -1, -3				
	EGLINGTON	10, 42, 51, -2		10, 42, -2	10, 42, 51, -2, -3	10, 42, 51, -2, -3	10, 42, 51, -1, -2		10, 42, 51, -1, -3				
	ESCORT	10, 42							10, 42, 51, -1				
	FARGO	10, 42, 51, -2	10, 42, 51, -2		10, 42, 51, -2	10, 42, 51			10, 42, 51, -1, -2	10, 42, 51, -2			
	HAWTHORNE								10, 42, -1				
	MANHATTAN	10, 42, 51, -1, -2, -3	10, 42, 51, -1			10, 42, 51, -1		10, 42, -1	10, 42, 51, -1	10, 42, 51, -1			10, 51
	TRENTON	10, 42, 51, -2		10, 42, 51, -2	10, 42, 51, -2	10, 42, 51, -2	10, 42, 51, -1, -2		10, 42, 51				

	FINISH	C3	C5	C10B	C11P	C15	C15A	C19	C26	C26D	C32D	C53	V3
DEADBOLTS	200 KW KEYWAY	51, 55, 57, 60	51, 55, 60				51				51, 55, 60	51, 60	51
	201 WR KEYWAY	51, 60	51, 60	51	51	51	51, 60	51	51	51	51, 60	51	51, 60
	202 SC KEYWAY	51, 60	51		51	51	51			51	51, 60		51

	FINISH	C3	C5	C11P	C15	C15A	C19	C26D	C53	V3
HANDLESETS	BIARRITZ	Standard	Standard			Standard				Standard
	CAPRI	Standard	Standard	Standard	Standard	Standard				
	IMPERIAL	Standard, dummy	Standard, dummy		Standard, dummy	Standard, dummy				Standard, dummy
	MAYFAIR	Standard, dummy	Standard, dummy	Standard, dummy	Standard, dummy	Standard, dummy	Standard	Standard, dummy	Standard, dummy	Standard, dummy

Please refer to finish availability chart for in stock finishes. Finish/function availability may change without notice. Above finishes are all available for volume orders (Allow a minimum of 12 weeks for delivery).

Lifetime warranty on Endurance finish • 5 year limited warranty on all other finishes
25 year mechanical warranty • Please refer to Dorex warranty conditions

